

Eurobib®

Postal address
Postadress

Box 150
S-221 00 Lund

Office address
Besöksadress

Åkergränden 7
Lund

Telephone
Telefon

Nat. 046 - 31 18 00
Int. +46 46 31 18 00

Telefax
Fax

Direct 046 - 30 73 25
Projects +46 46 32 05 29

E-mail:
info@eurobib.se

Web:
www.eurobib.com

ASSEMBLY INSTRUCTION

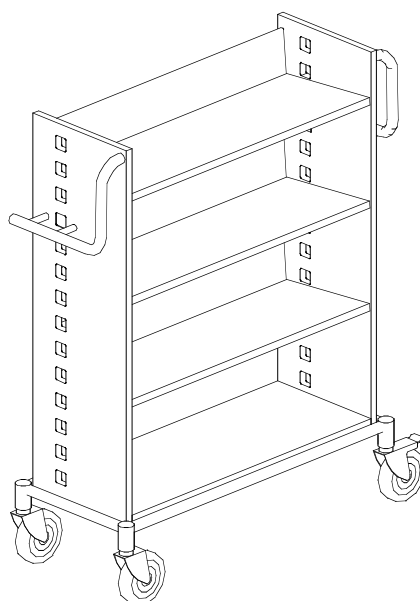
Booktrolley:

Sverker

MONTERINGSANVISNING

Bokvagn:

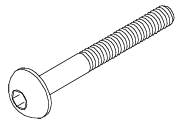
Sverker



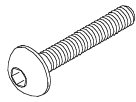
080530

First check the contents to make sure that nothing is missing. Sort out the screws and fittings as shown. Assemble your furniture step by step, as shown in the illustrations.

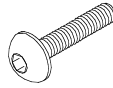
Kontrollera först innehållet. Sortera skruvar och beslag enligt anvisningen. Montera möbelen i nummerordning och som bilderna visar.



A - M6x51 (x4)



B - M6x32 (x8)



C - M6x26 (x4)



D - M6,10x14 (x4)



E - M6 (x4)



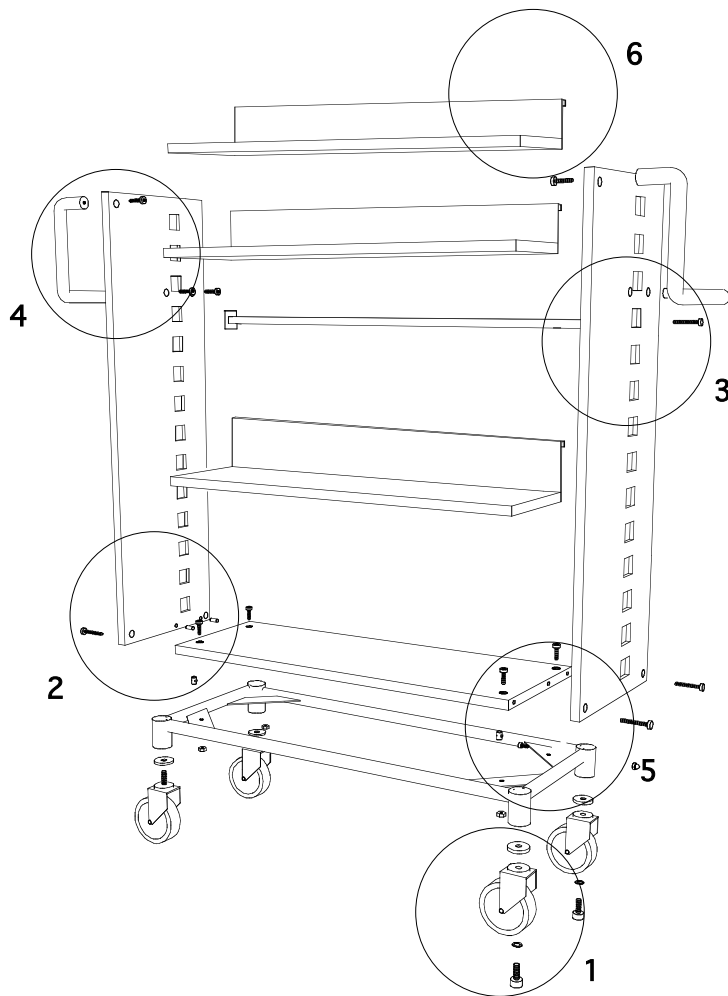
F - 8x20 (x4)



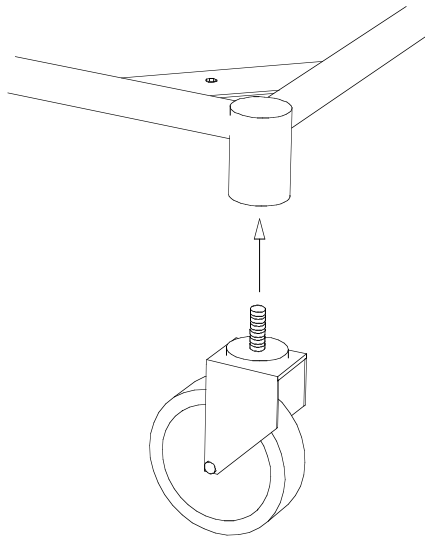
G - 8x20 (x12)



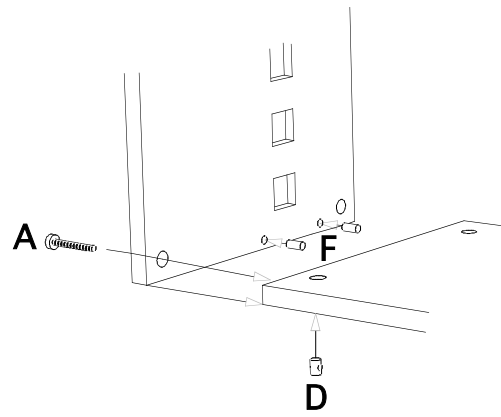
H - M6x10 (x15)



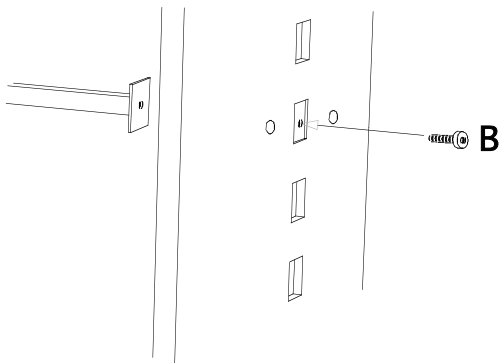
1



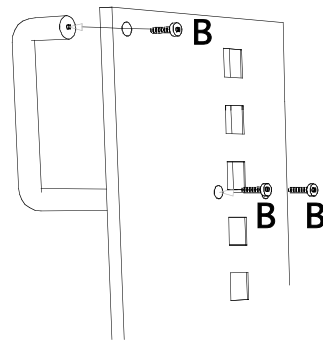
2



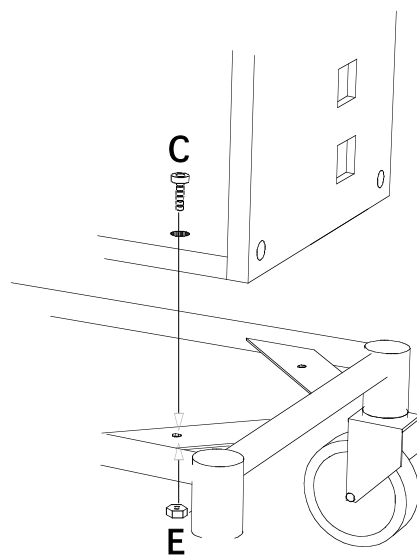
3



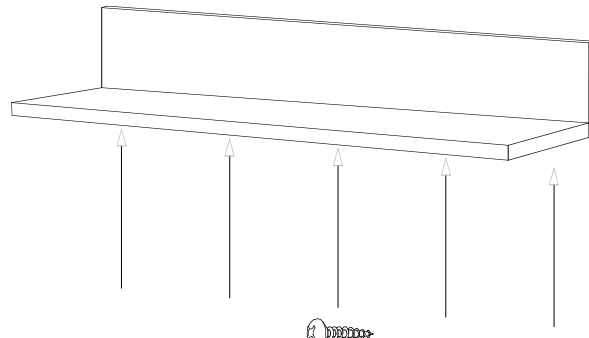
4



5

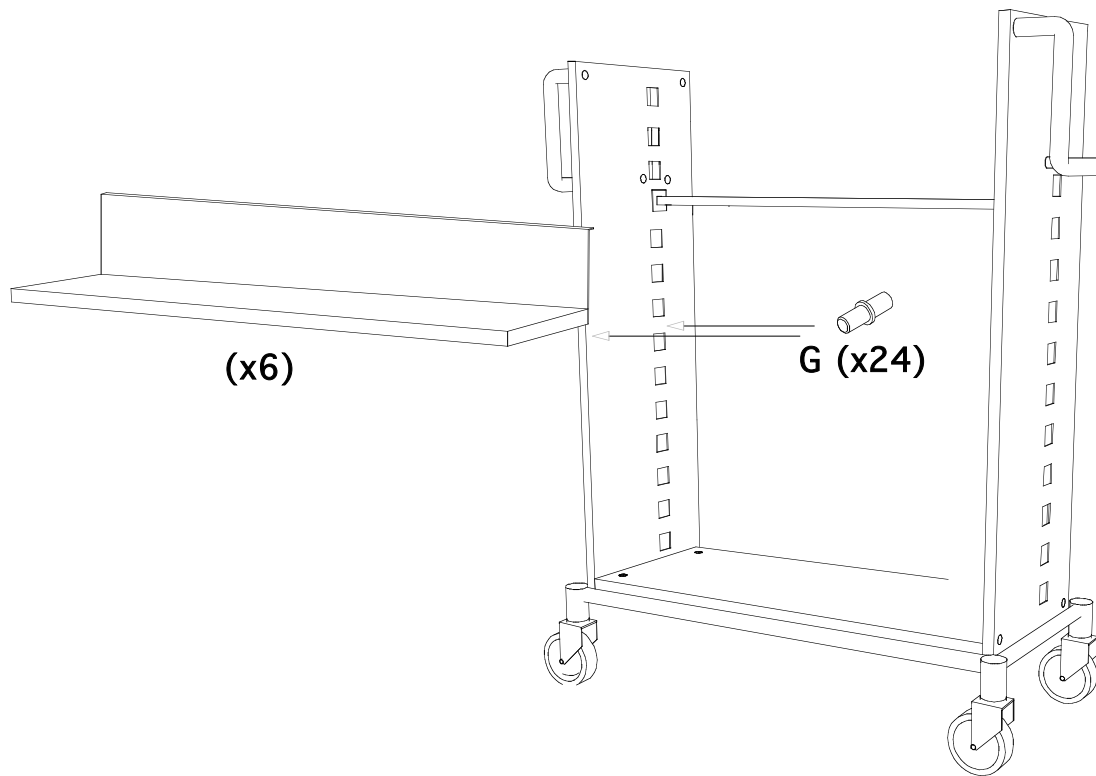


6



H (x5/x3)

7



(x6)

G (x24)