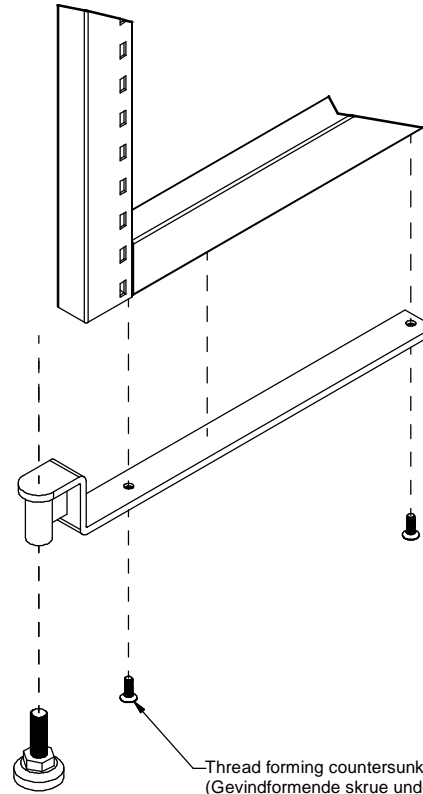
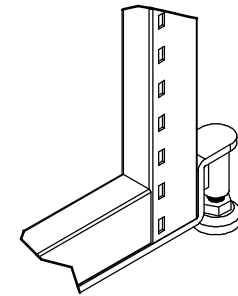


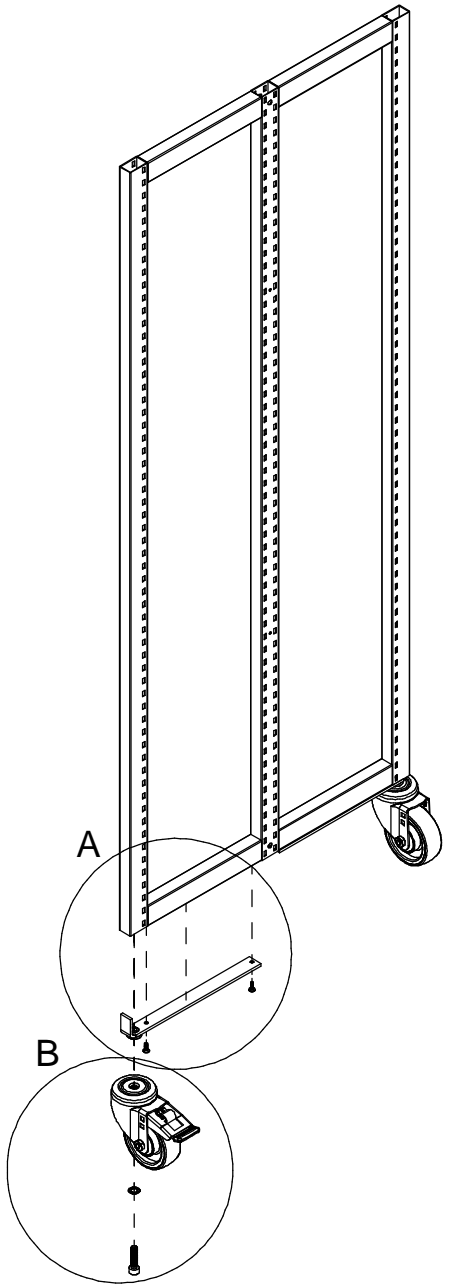
A (1:3)



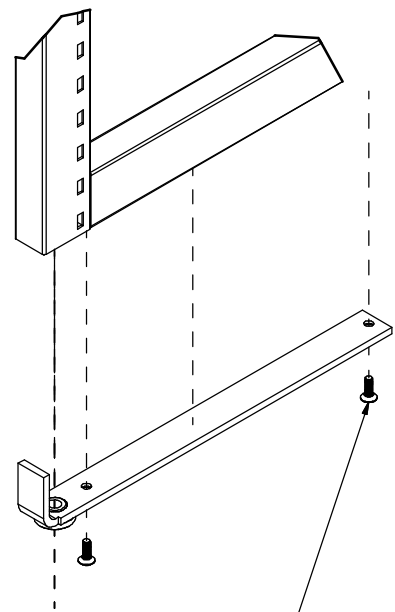
B (1:3)



Thread forming countersunk screws M5x12.
(Gevindformende skrue undersænket hoved)
DIN 7500 Form M
BCI number 1141085

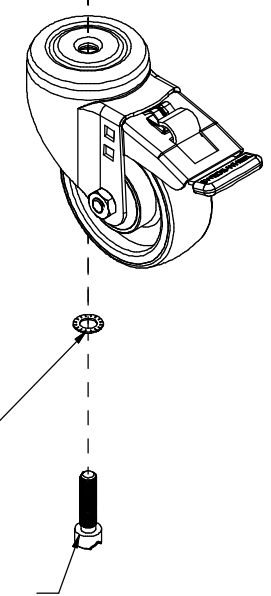


A (1:3)



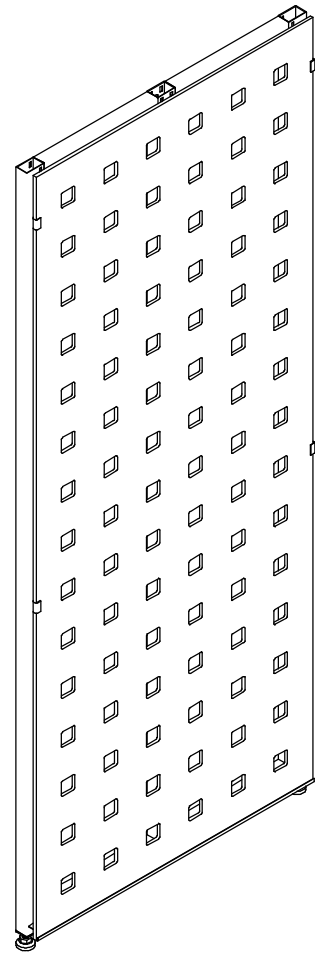
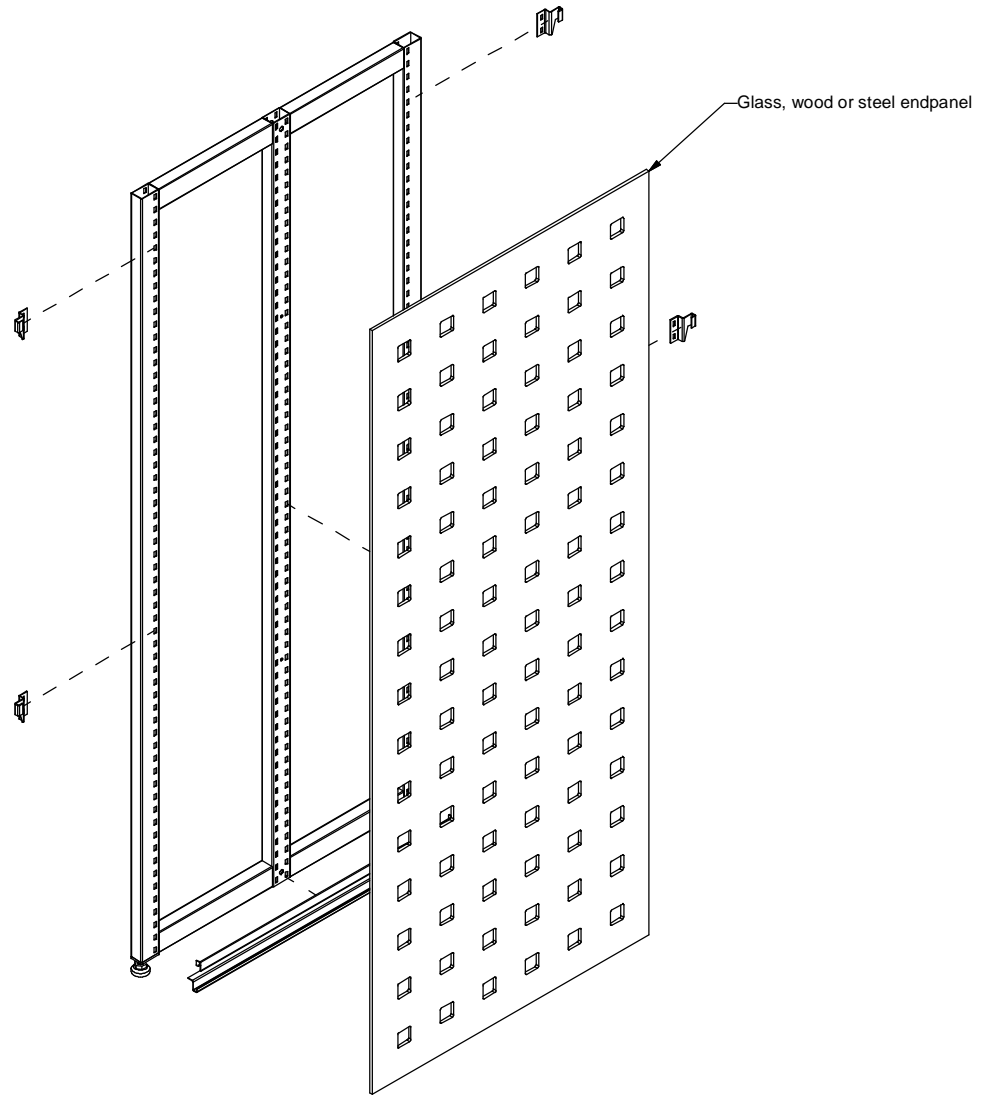
Step 1
 Thread forming countersunk screws M5x12
 (Gevindformende skrue undersænket hoved)
 DIN 7500 Form M
 BCI number 1141085

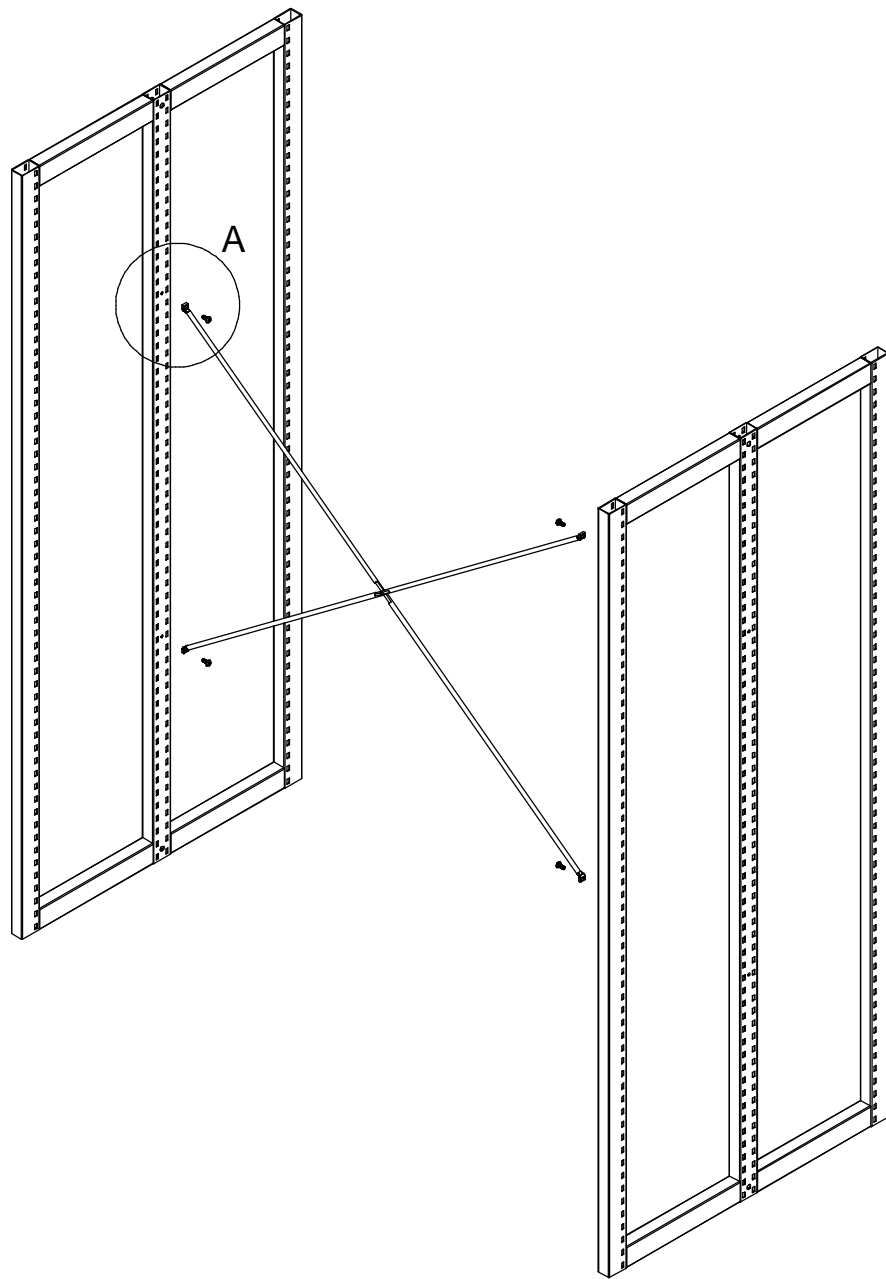
B (1:3)



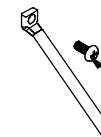
STEP 2
 Serrated lock washers M10
 (Stjerneskiver)
 DIN 6798 Form A.
 BCI number 1141086.

STEP 2
 Hexagon socket head cap screws M10x40
 (Cylinderskrue med ind. 6 knt.)
 DIN 912 8.8
 BCI number 1441314.

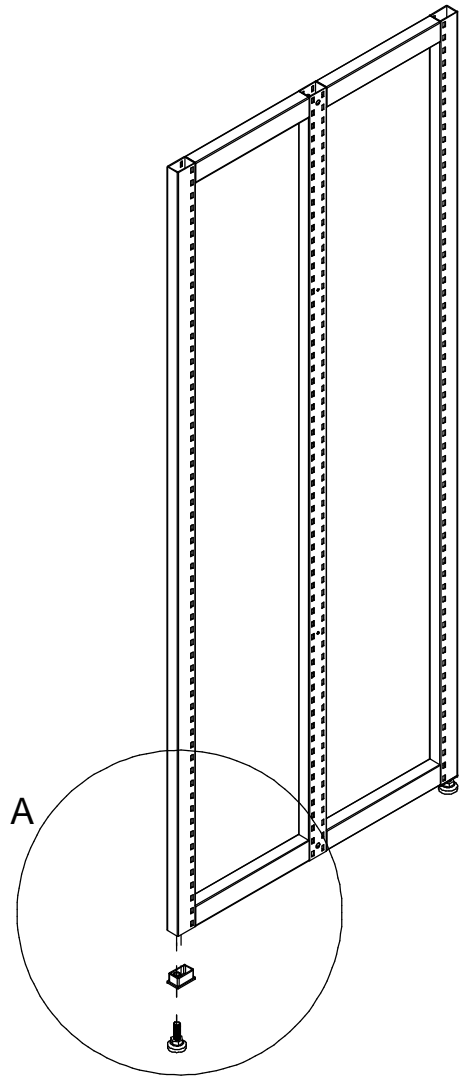




A (1:3)



Thread forming pan head screws M5x12.
(Gevindformende skrue panhoved)
DIN 7500 Form C
BCI number 1141076



A (1:3)

