



BCI

DK: Monteringsvejledning – Opal
UK: Assembly Instruction –Opal
F: Fiche de montage – Opal
E: Instrucciones de montaje - Opal
D: Montagenanleitung – Opal
S: Monteringsvägledning - Opal

DK: Endegavl af glas til Opal-reol

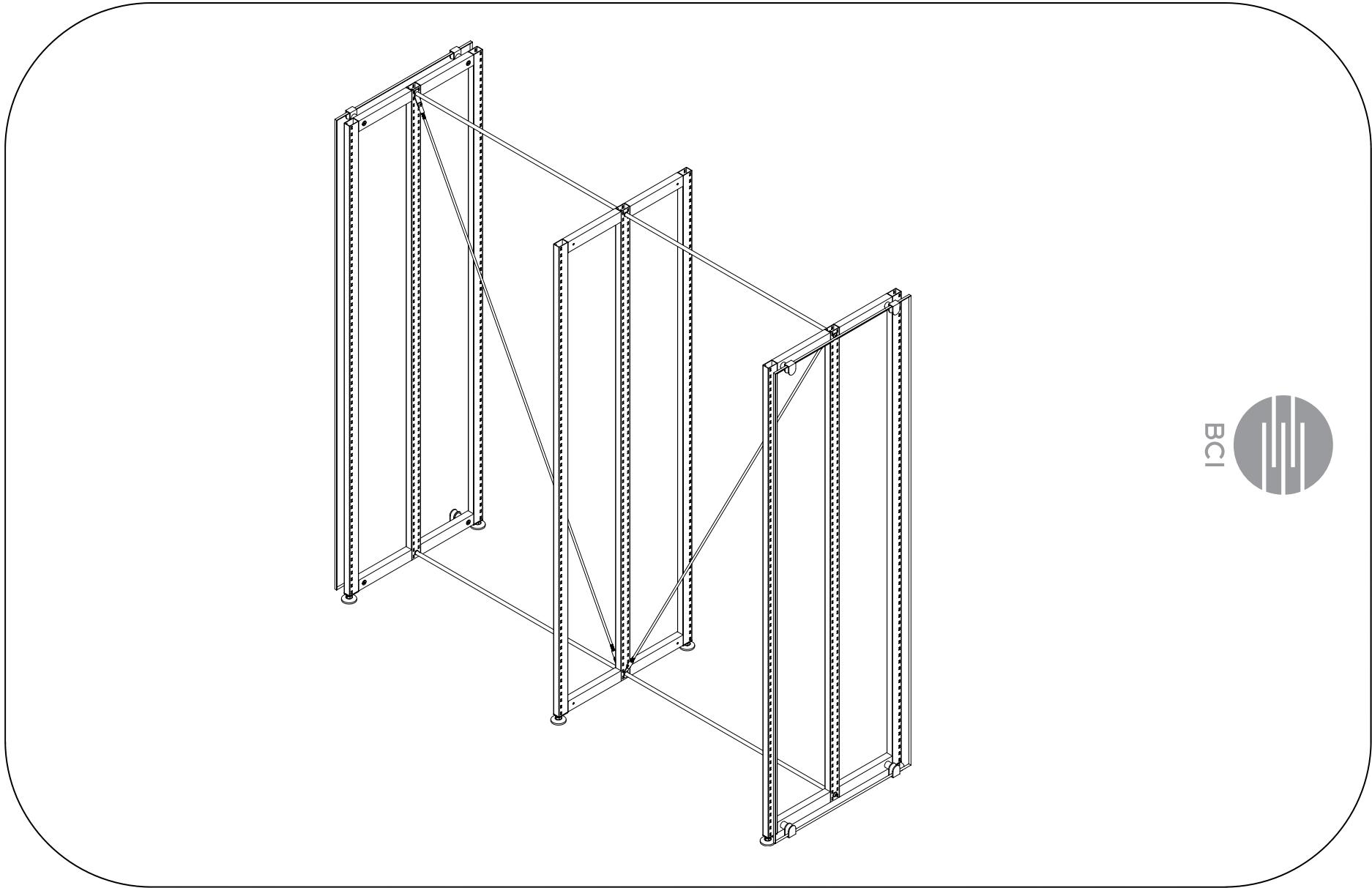
UK: Glass End Panel for Opal shelving

F: Panneau d`extrémité en verre sécurit pour rayonnage
Opal

E: Costado de cristal para estanteria Opal

D: Endwand aus Glas für Opal-Regal

S: Yttergavel av glas till Opal-hylla



Fig_1



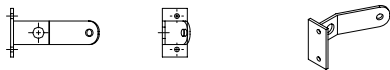
Fig_2



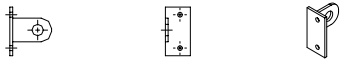
Fig_3



Fig_4



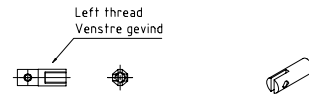
Fig_5



Fig_6



Fig_7



Fig_8



Fig_9



Fig_10



Fig_11



Fig_12



Fig_13



Fig_14



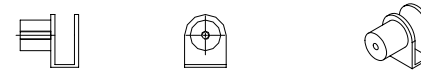
Fig_15



Fig_16



Fig_17



Fig_18



Fig_19



Fig_20



1375035		Fig_18
1375032		Fig_17
1141063	6x40	Fig_19
1141072	5x55	Fig_20
1375027		Fig_16
1141515	4x16	Fig_15
1141071	4x6	Fig_14
1441283	5x10	Fig_13
1141068	M8x50	Fig_10
1141069	M8x35	Fig_11
1375000		Fig_6
1141070	M10x30	Fig_12
1375034		Fig_8
1375033		Fig_7
1141073	ø16x8	Fig_9
1375030		Fig_5
1375029		Fig_4
1375028		Fig_3
1375026		Fig_2
1375025		Fig_1
BCI number	Description	Fig_



